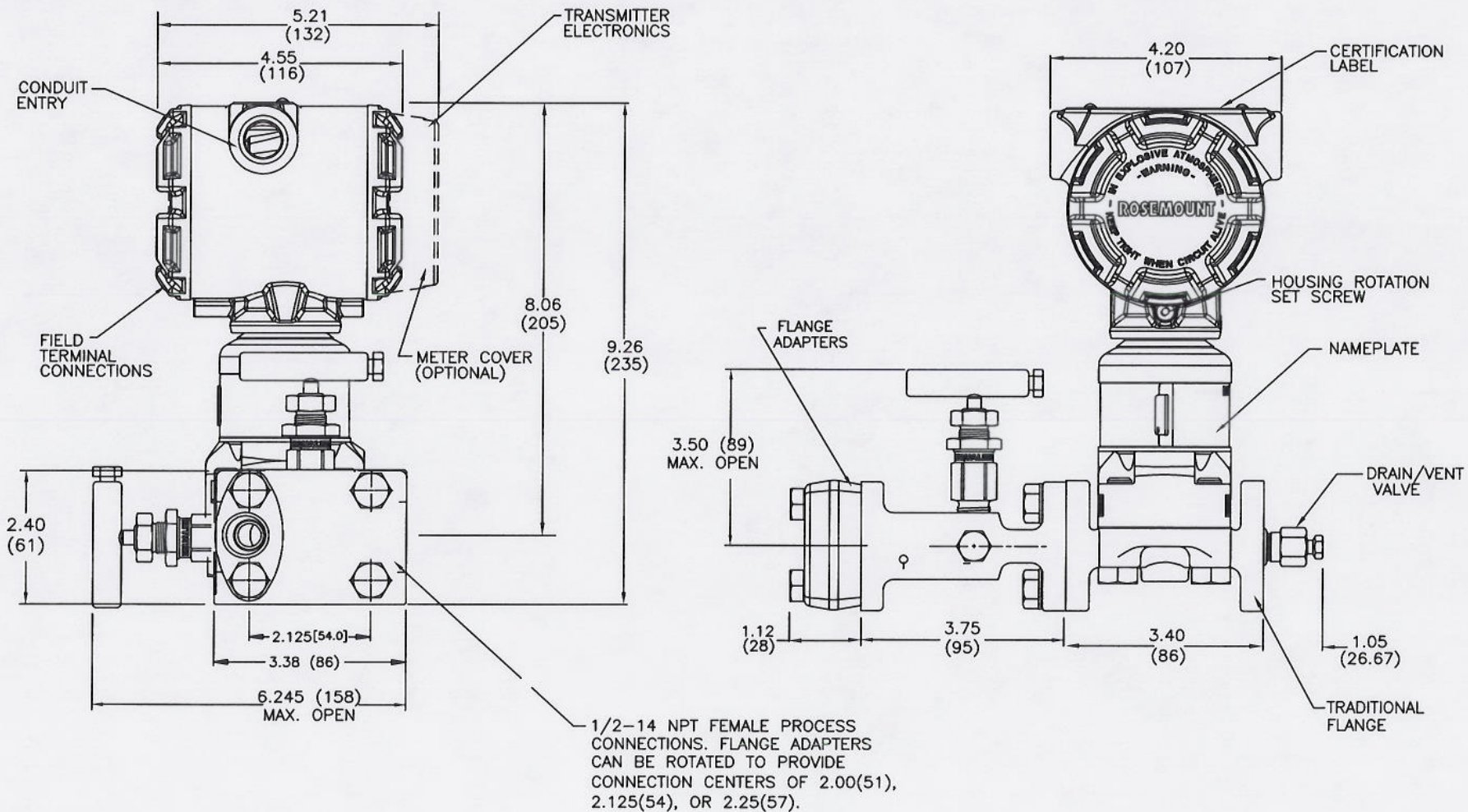


REVISIONS				
REV	DESCRIPTION	CHG. NO.	APP'D	DATE
AA	NEW RELEASE	RTC1022429	JG	8/25/06

3051S PRESSURE TRANSMITTER—TRADITIONAL FLANGE AND CONVENTIONAL TWO VALVE FLANGE BY FLANGE MANIFOLD

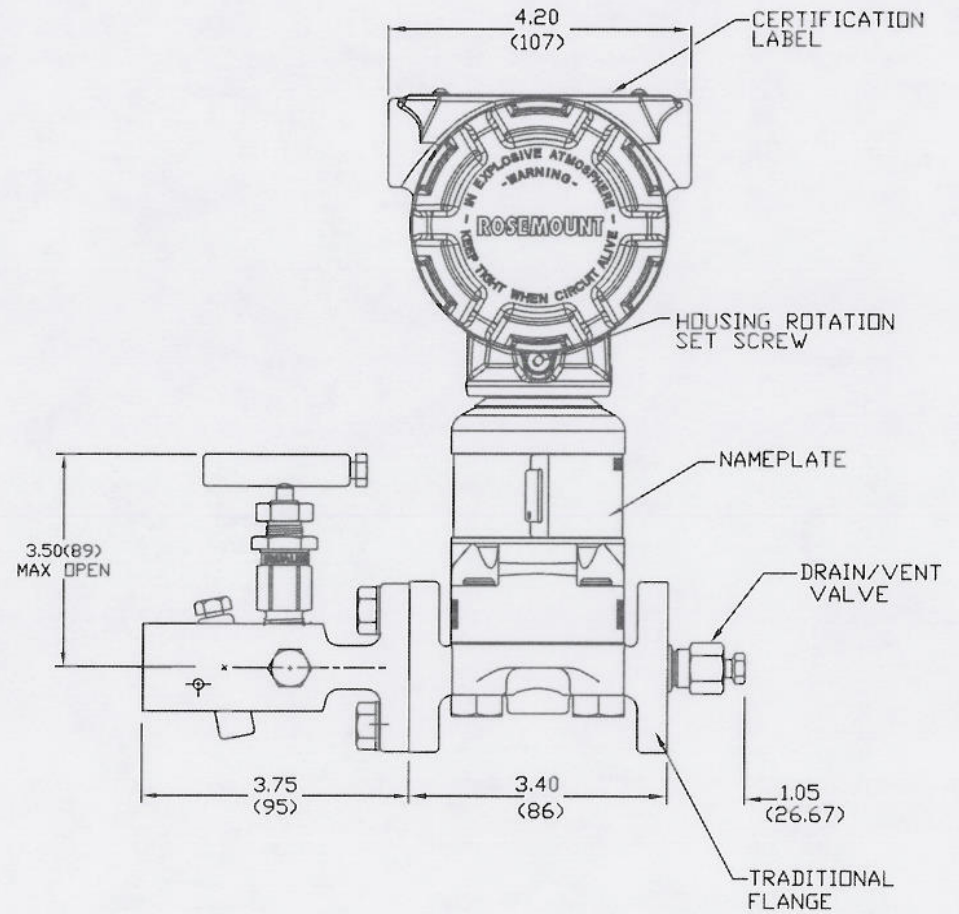
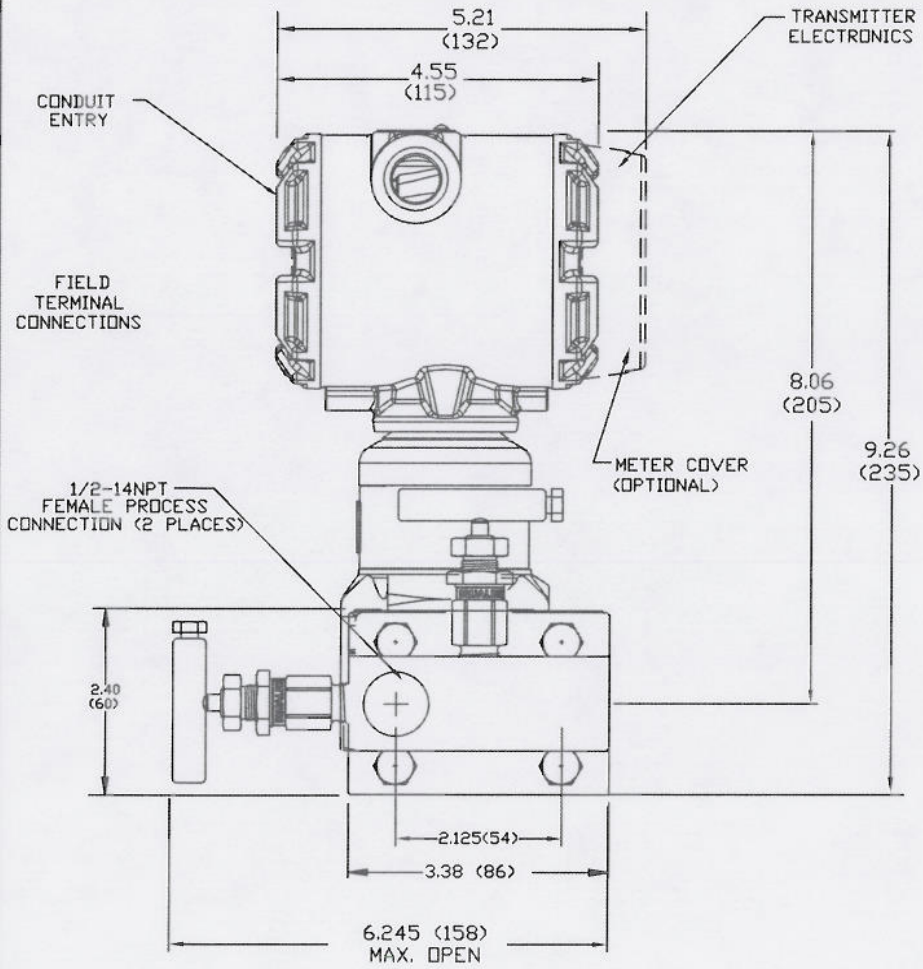


NOTES:

- ROSEMOUNT INC. CERTIFIES THESE DRAWINGS ARE IN ACCORDANCE WITH ROSEMOUNT ENGINEERING SPECIFICATIONS AND ACCURATELY REPRESENT THE EQUIPMENT FURNISHED.

<p>*UNLESS OTHERWISE SPECIFIED DIMENSIONS IN INCHES (MM)</p> <p>*ALL DIMENSIONS ARE NOMINAL AND ARE FOR REFERENCE ONLY</p>	TYPE I		ROSEMOUNT CHANHASSEN, MINNESOTA		
	DR. JOHN ARMSTRONG	03/16/01	TITLE DIMENSIONAL DRAWING FOR MODEL 304 CONVENTIONAL MANIFOLD		
	APPROVAL DR J GRAVEL	8/25/06	DRAWING NO. 00304-0500		
	TAGGING		SIZE A	SCALE: NONE	
	SPECIALS		SHEET 1 OF 8		

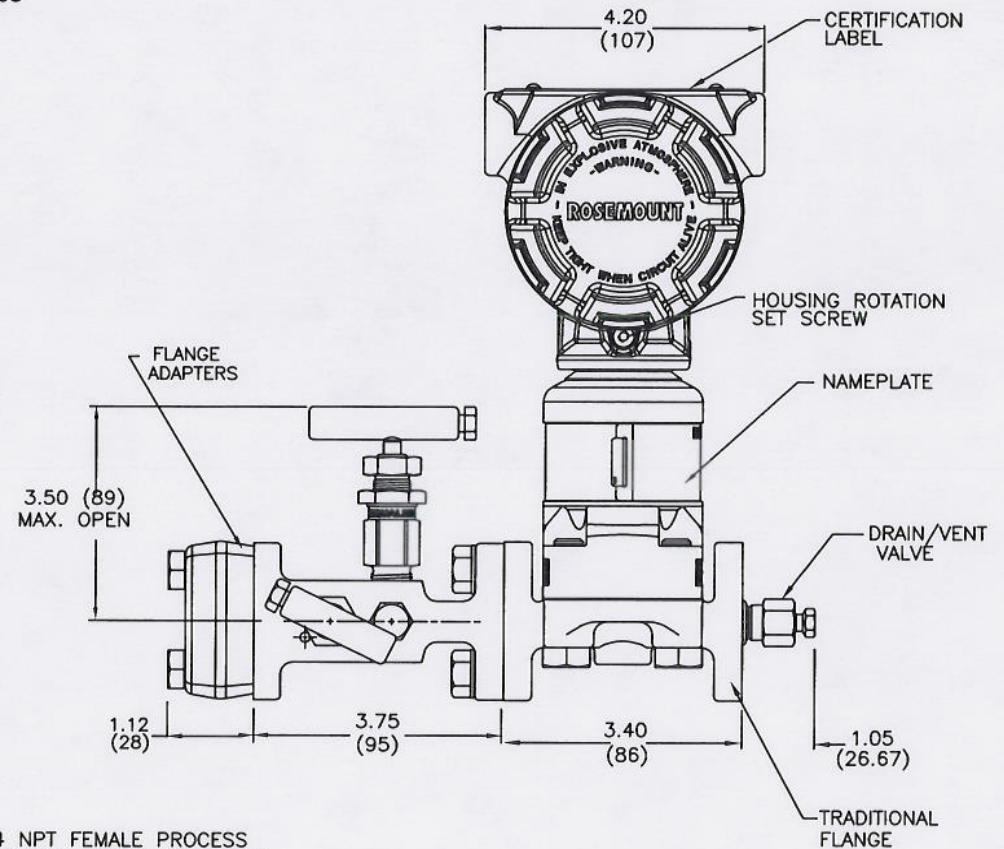
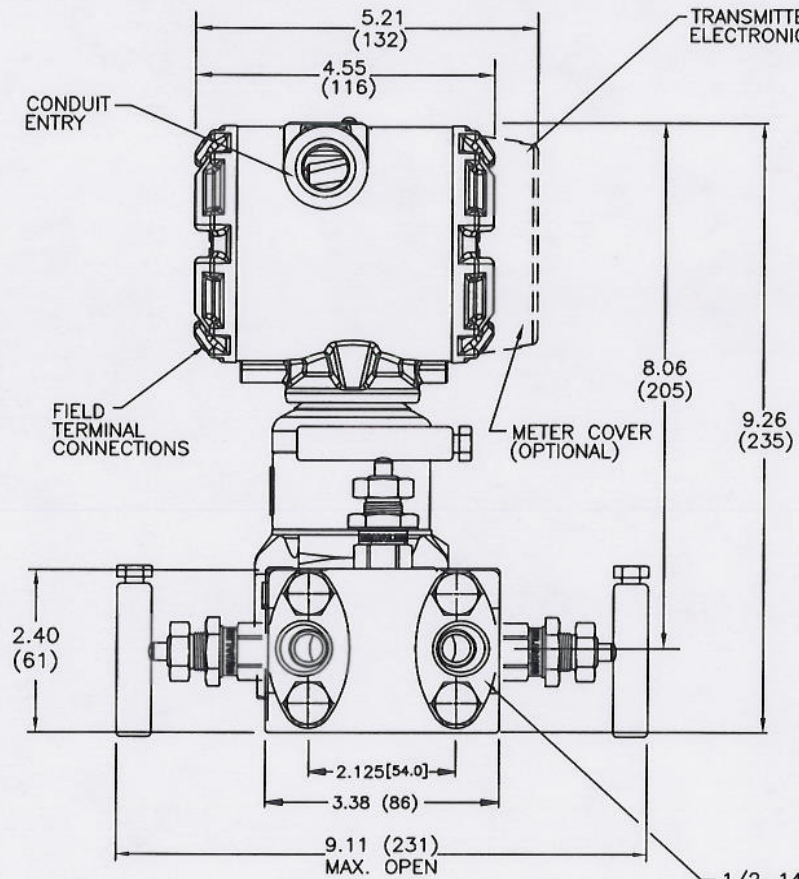
3051S PRESSURE TRANSMITTER-TRADITIONAL FLANGE & CONVENTIONAL TWO VALVE FLANGE BY PIPE MANIFOLD



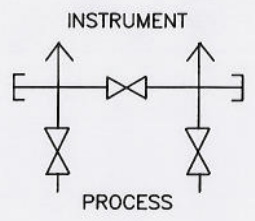
ROSEMOUNT®
CHANHASSEN, MINNESOTA

SIZE	DRAWING NO.
A	00304-0500
SCALE:	SHEET 20F 8

3051S PRESSURE TRANSMITTER—TRADITIONAL FLANGE AND CONVENTIONAL THREE VALVE FLANGE BY FLANGE MANIFOLD



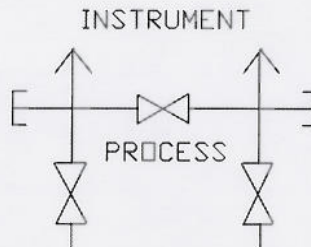
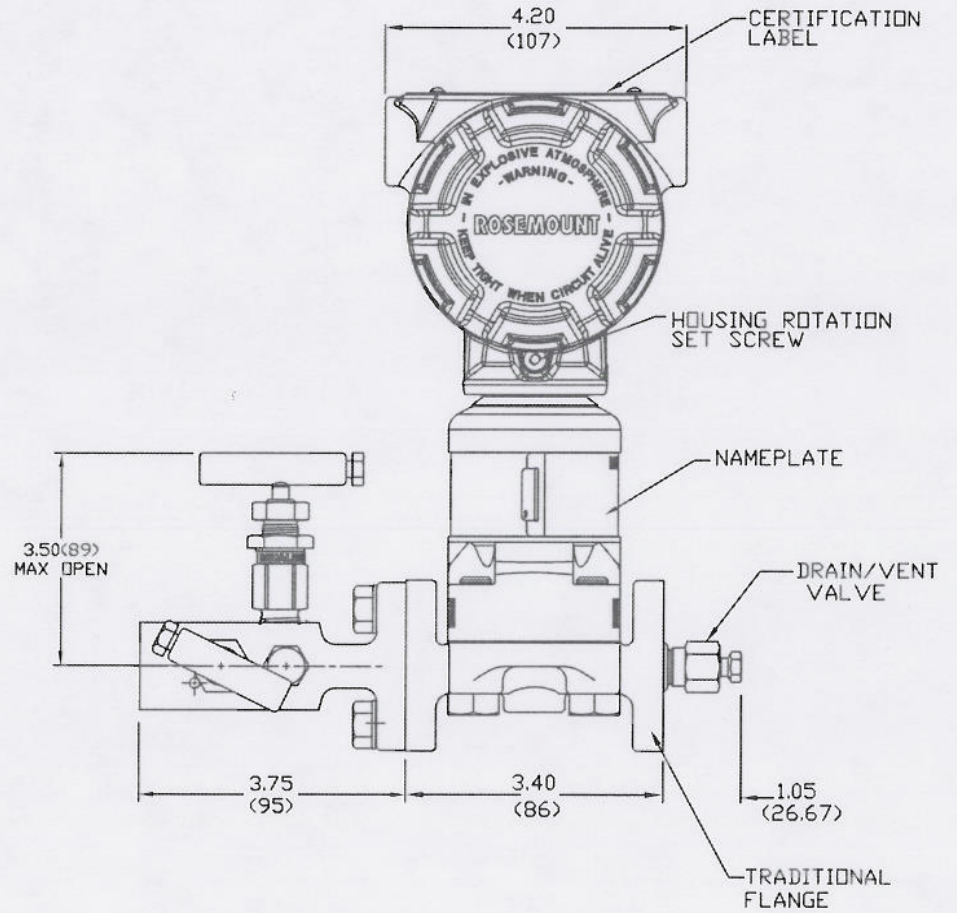
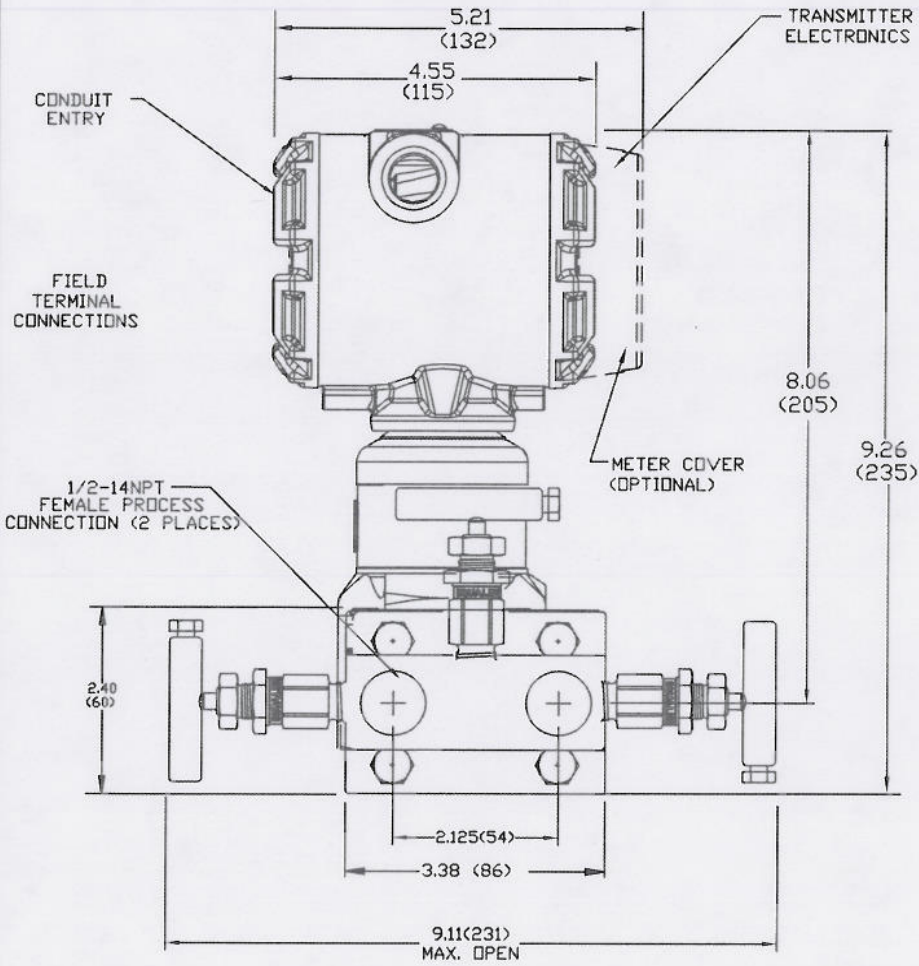
1/2-14 NPT FEMALE PROCESS CONNECTIONS. FLANGE ADAPTERS CAN BE ROTATED TO PROVIDE CONNECTION CENTERS OF 2.00(51), 2.125(54), OR 2.25(57).



ROSEMOUNT®
CHANHASSEN, MINNESOTA

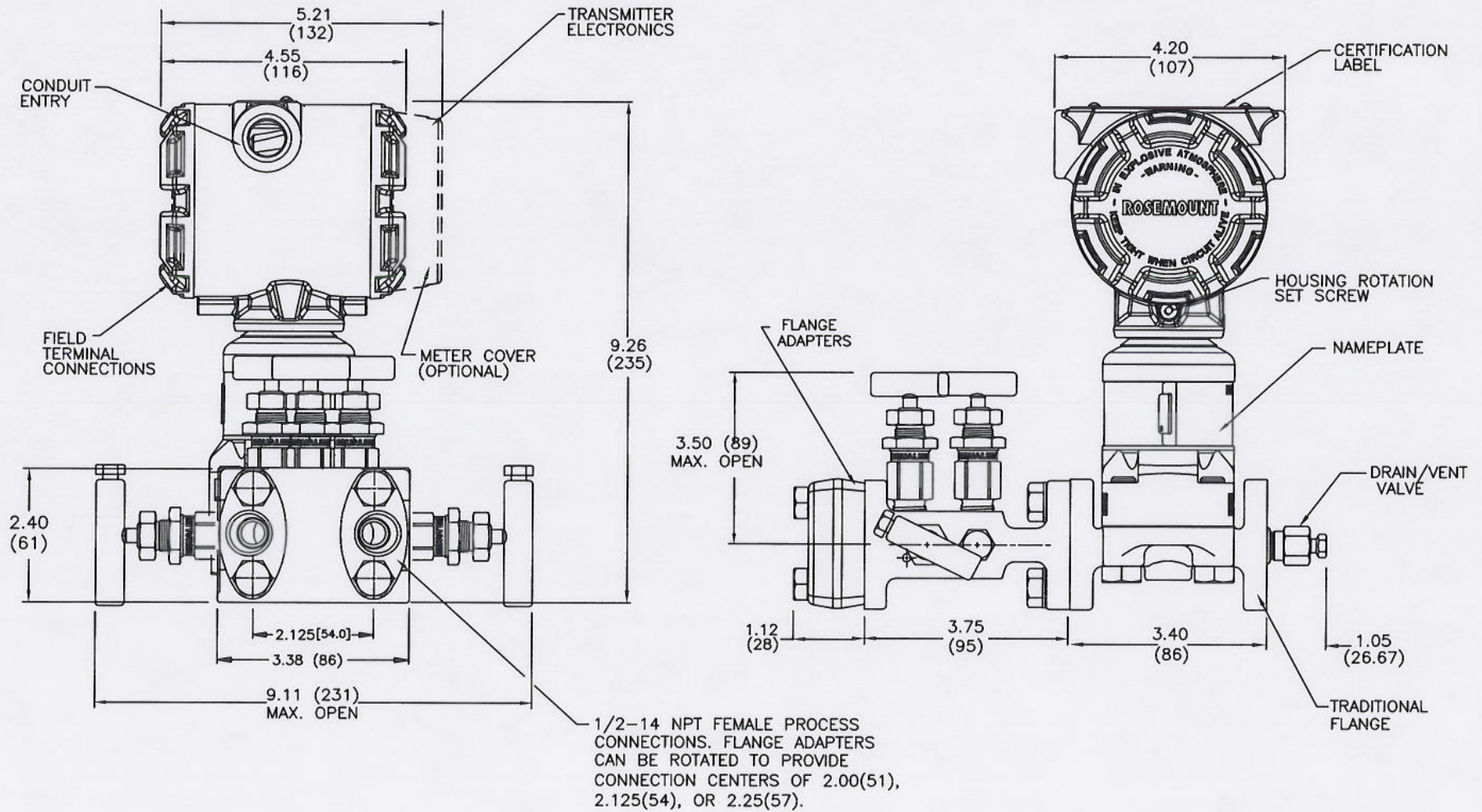
SIZE A	DRAWING NO. 00304-0500
SCALE:	SHEET 3 OF 8

3051S PRESSURE TRANSMITTER-TRADITIONAL FLANGE & CONVENTIONAL THREE VALVE FLANGE BY PIPE MANIFOLD



ROSEMOUNT® CHANHASSEN, MINNESOTA	
SIZE A	DRAWING NO. 00304-0500
SCALE:	SHEET 4 OF 8

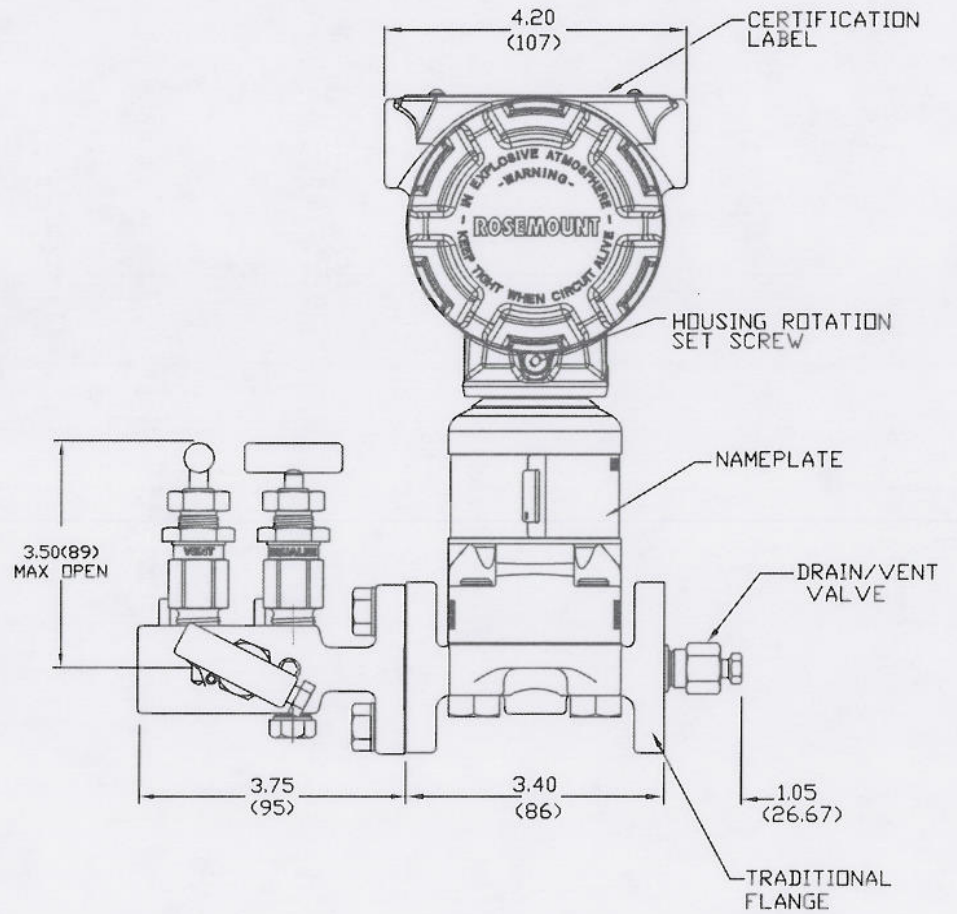
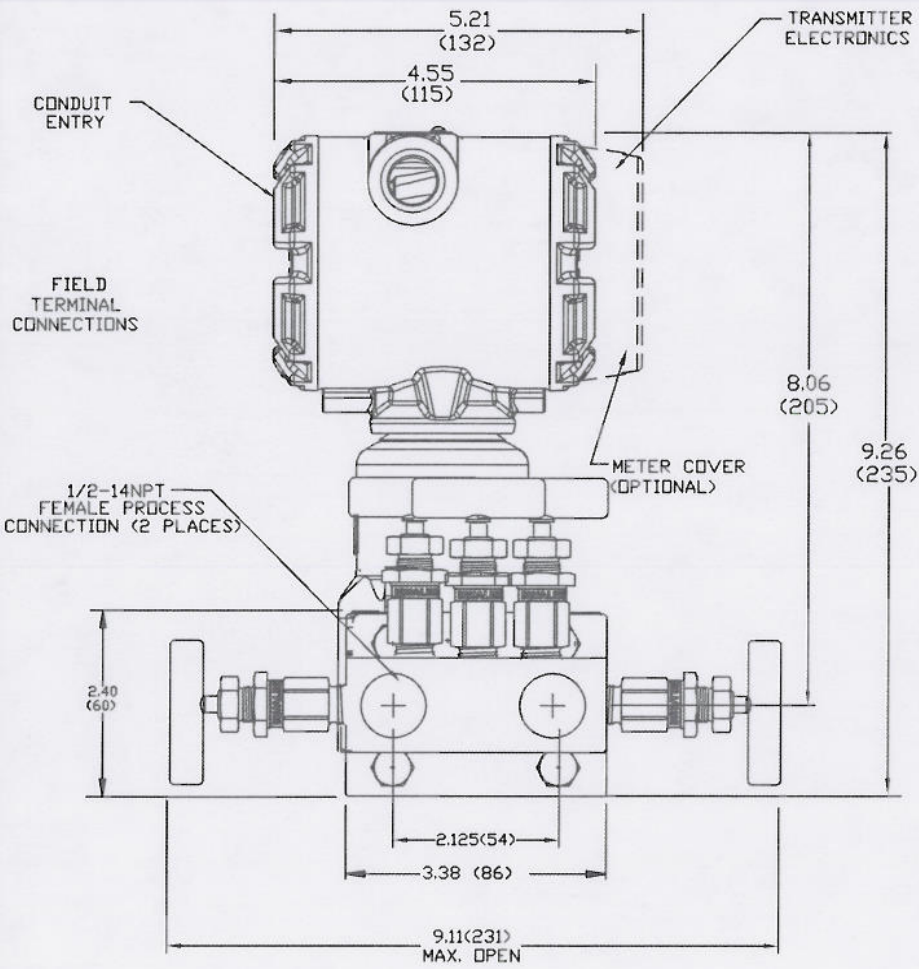
3051S PRESSURE TRANSMITTER—TRADITIONAL FLANGE AND CONVENTIONAL FIVE VALVE FLANGE BY FLANGE MANIFOLD



ROSEMOUNT®
CHANHASSEN, MINNESOTA

SIZE	DRAWING NO.
A	00304-0500
SCALE:	SHEET 5 OF 8

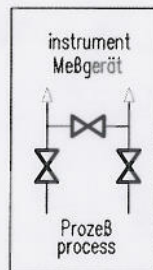
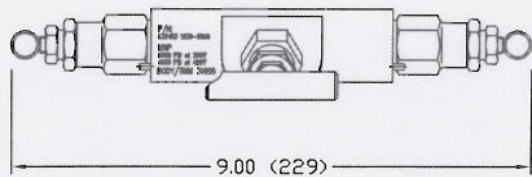
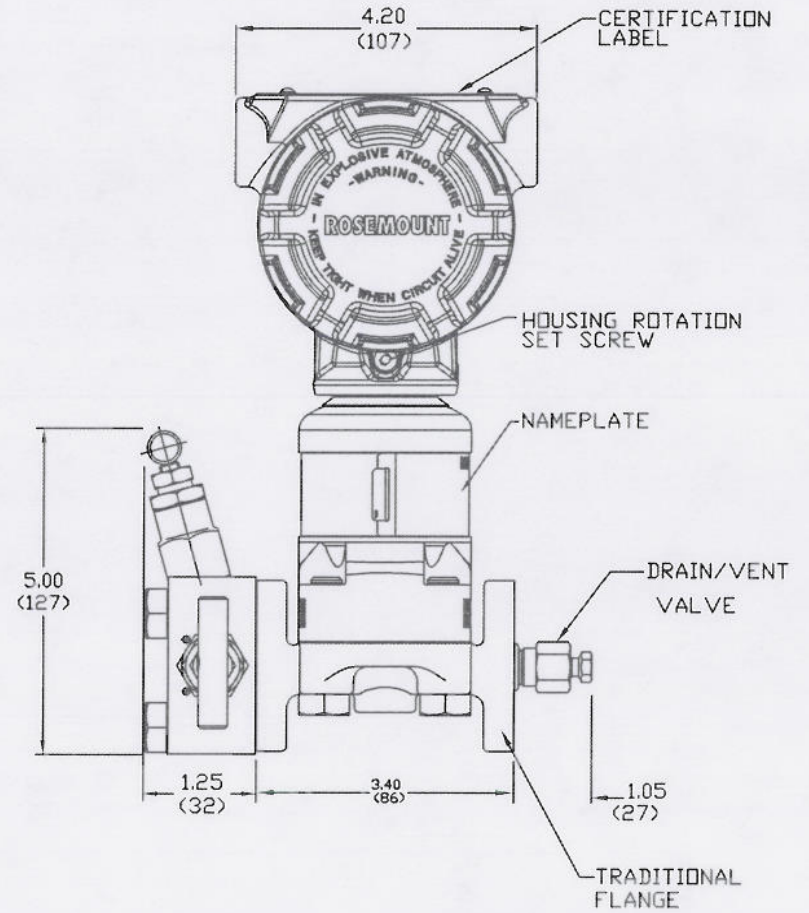
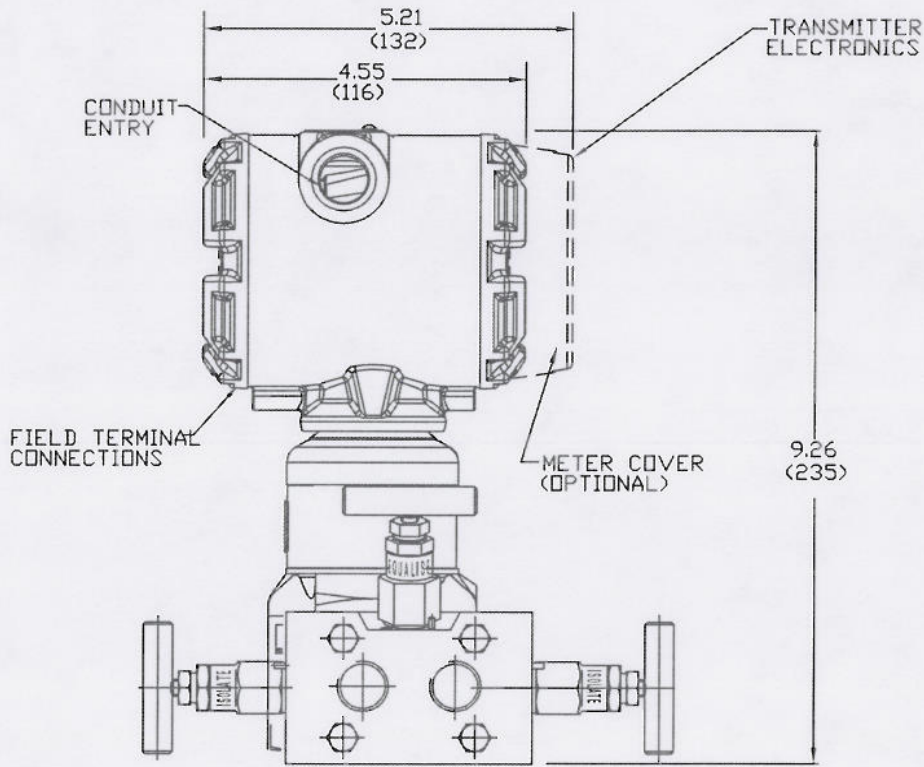
3051S PRESSURE TRANSMITTER-TRADITIONAL FLANGE & CONVENTIONAL FIVE VALVE FLANGE BY PIPE MANIFOLD



ROSEMOUNT®
CHANHASSEN, MINNESOTA

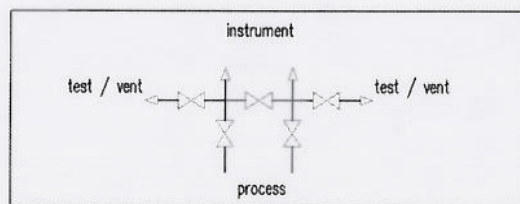
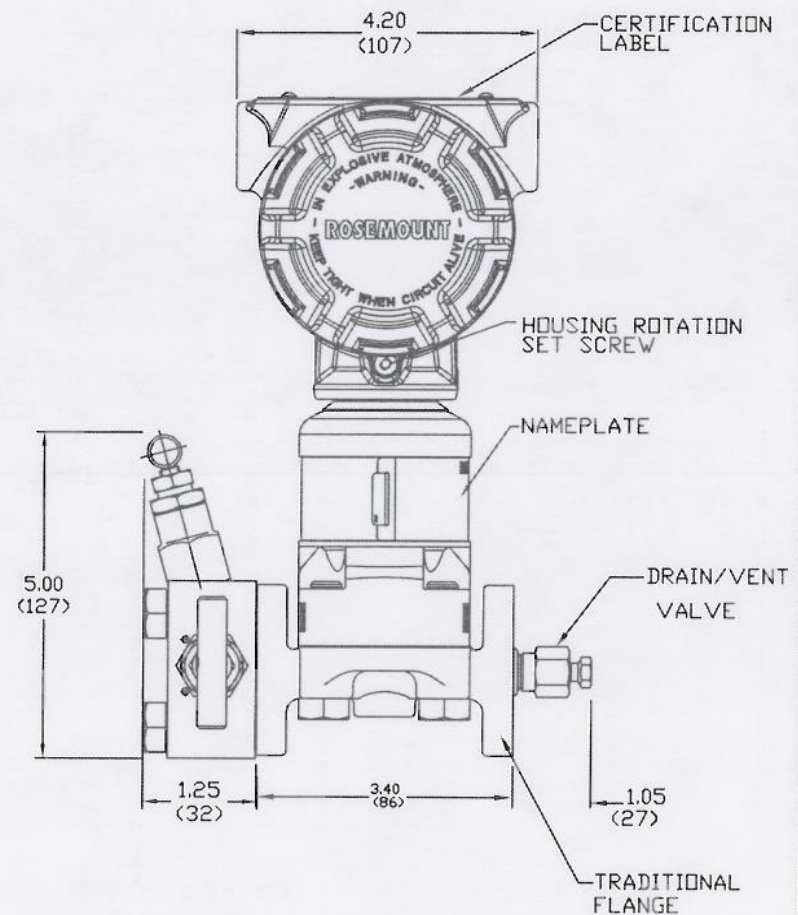
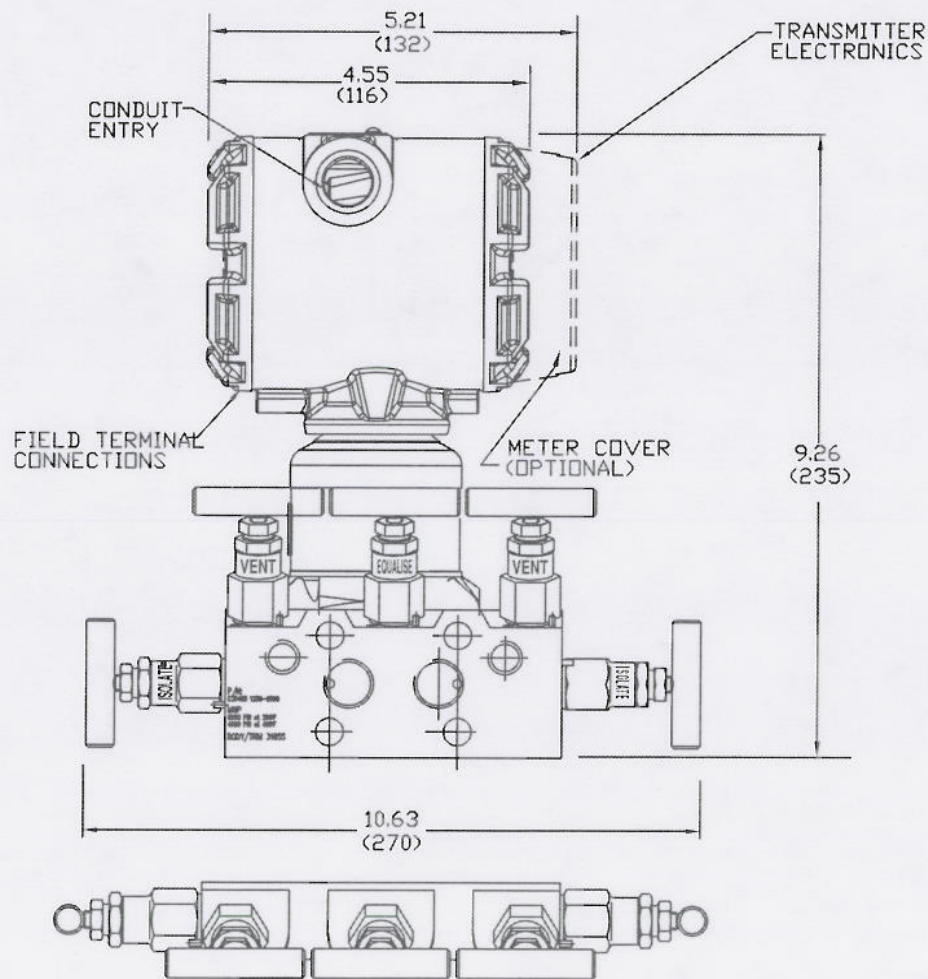
SIZE A	DRAWING NO. 00304-0500
SCALE:	SHEET 6 OF 8

3051S PRESSURE TRANSMITTER-TRADITIONAL FLANGE AND CONVENTIONAL THREE VALVE WAFER STYLE MANIFOLD



ROSEMOUNT® CHANHASSEN, MINNESOTA	
SIZE A	DRAWING NO. 00304-0500
SCALE:	SHEET 7 OF 8

3051S PRESSURE TRANSMITTER-TRADITIONAL FLANGE AND CONVENTIONAL FIVE VALVE WAFER STYLE MANIFOLD



ROSEMOUNT® CHANHASSEN, MINNESOTA	
SIZE A	DRAWING NO. 00304-0500
SCALE:	SHEET 8 OF 8